

## Premium Preparation 1400 mm Worktop Cupboard with Upstand

ITEM # \_\_\_\_\_

MODEL # \_\_\_\_\_

NAME # \_\_\_\_\_

SIS # \_\_\_\_\_

AIA # \_\_\_\_\_


**133081 (TN1410EN)**

 WorkTop Cupboard, with  
 100mm upstand, 1 shelf and  
 2 sliding doors, (4 feet),  
 1400mm

### Short Form Specification

**Item No.** \_\_\_\_\_

The 50mm high worktop in 304 AISI stainless steel, 1,5mm in thickness, is sound-deadened and has anti-drip edges and welded corners. Inner welded frame in stainless steel. Under-top reinforcement in 304 AISI s/s. Integral rear upstand, h=100mm, with 10mm radius. Intermediate reinforced shelf in 304 AISI s/s that can be positioned at three different heights. Base shelf in 304 AISI s/s, 1mm in thickness, reinforced by 1,5mm support bars in AISI 304 s/s. Two sound-deadened sliding doors in 304 AISI s/s. Welded construction for maximum strength. Four 2"-feet in 304 AISI stainless steel, h=200mm, adjustable in height (-50+20mm).

### Main Features

- Worktop cupboard can be mounted on 125 mm diameter castors (2 with brakes) using the optional accessory kit.
- Handles in stainless steel for better hygiene and reliability.
- Sturdiness, stability and reliability of table accurately tested.

### Construction

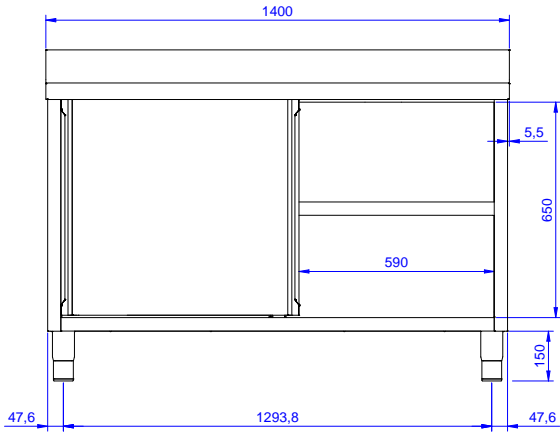
- Inner welded frame in stainless steel to guarantee superior strength and stability.
- Base panel has 40mm high profile, is 8/10 in thickness with upturned edges and bar reinforcement. It is welded to legs for further structure reinforcement.
- Base panel in AISI 304 stainless steel, 10/10 in thickness reinforced by 15/10 support bars in AISI 304.
- 100 mm upstand with 10 mm radiused corner and 13 mm deep, designed to be used against a wall.
- Intermediate shelf in stainless steel with riveted corners and trasversal reinforcement in stainless steel.
- Upstand back completely covered with Stainless Steel welded profile.
- Heavy duty construction entirely in AISI 304 stainless steel to offer maximum durability.
- 304 AISI stainless steel feet, 150 mm high and 54 mm in diameter, adjustable by -35/+25 mm.

### Optional Accessories

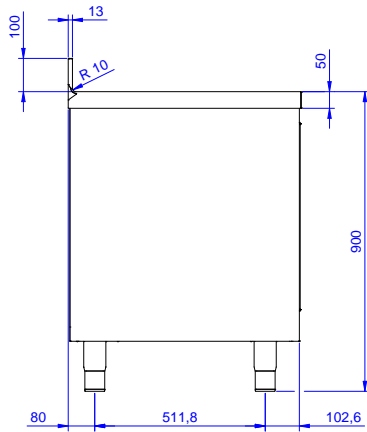
- Wheel kit for cupboards, 4 wheels (2 with brakes), D=100 mm PNC 855299

**APPROVAL:** \_\_\_\_\_

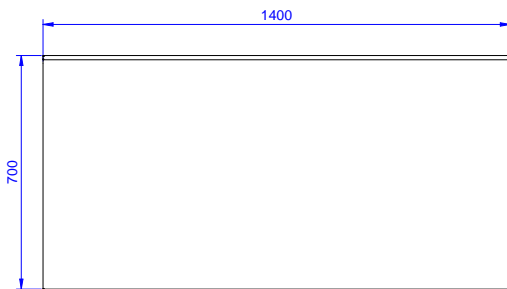
Front



Side



Top



**Key Information:**

<b>Cabinet width:</b>	
133081 (TN1410EN)	1345 mm
<b>Cabinet depth:</b>	645 mm
<b>Cabinet height:</b>	610 mm
<b>External dimensions,</b>	
<b>Width:</b>	1400 mm
<b>External dimensions,</b>	
<b>Depth:</b>	700 mm
<b>External dimensions,</b>	
<b>Height:</b>	1000 mm
<b>Upstand Dimensions,</b>	
<b>Height:</b>	100 mm
<b>Upstand Dimensions,</b>	
<b>Depth:</b>	13 mm
<b>Upstand Dimensions,</b>	
<b>Radius:</b>	R=10
<b>Number and type of doors:</b>	2 Sliding
<b>Worktop thickness:</b>	50 mm
<b>Net weight:</b>	60 kg